

PRODUCT INFORMATION

MODEL NAME:	VITEZ POWER RECLINER
NO. CHAIR:	550
QR CODE	

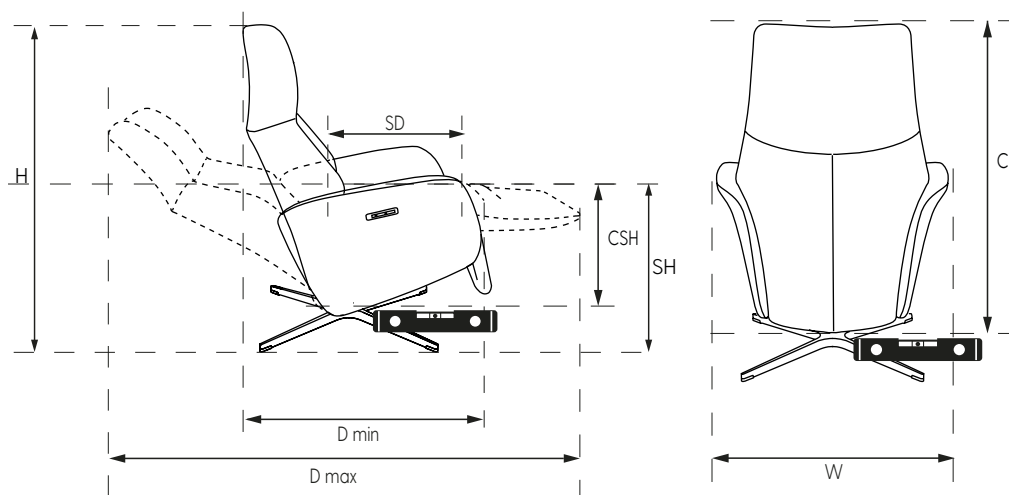


FUNCTIONS		OPTIONS		ACCESSORIES	
Swivel	YES	Return swivel	NO	Footrest	INTEGRATED
Push back recliner	NO	Adjustable headrest	BUILT-IN	Head cushion	OPTIONAL
Electric function recliner	YES	Height other than standard	OPTIONAL*		
Headrest Plus	NO				

*only higher option available

DATA	CHAIR
H - Height (Standard)	118 cm
W - Width	77 cm
D min - Depth minimal	85 cm
D max - Depth maximal	168 cm
SD - Seat Depth	56 cm
SH - Seat Height (Standard)	46 cm
CSH - Constant Seat Height	33 cm
CH - Constant Height	105 cm

DATA	CHAIR
Standard stem	Gira (100mm)
Standard base	Vision
Available bases	Vision, Bond
Mechanism	Piro 2 motor version







DATA	CHAIR
Box dimensions	117,5 x 79 x 85,5 cm
Weight gross (incl. packing)	41 kg
Weight net	36 kg
Assembly type	Fully assembled

GENERAL INFORMATION

OUR PRODUCTS ARE:

- constructed around a forged metal frame, with 360-degree cold-cure molded foam,
- upholstered in high-quality fabric or leather provided by leading European suppliers,
- made with the best design talents, inspired by the best Scandinavian practices and created with stylish homes in mind,
- upholstered by people who take pride in complete mastery of their time-honored craft,
- with available environmentally friendly options for covers and bases.

	Metal frame with Flathead
	Metal spring
	Cold molded foam
	Leather / fabric

DYNAMIC FOAM

To make our products more durable and uniquely comfortable, we use a material called cold-cure molded foam. This material is the reason our chairs retain their shape and flexibility year after year. The foam contains really small air pockets, tiny bubbles within its denser structure, which allows for just the right amount of firmness. After the foam is shaped, the cover is hand-sewn for it to fit perfectly. The result? Chairs that look elegant from all angles and will not sag.

WARRANTY ON FOAM AND METAL FRAME

KEBE provide a **10-year warranty** on foam and the inside steel frame and springs.



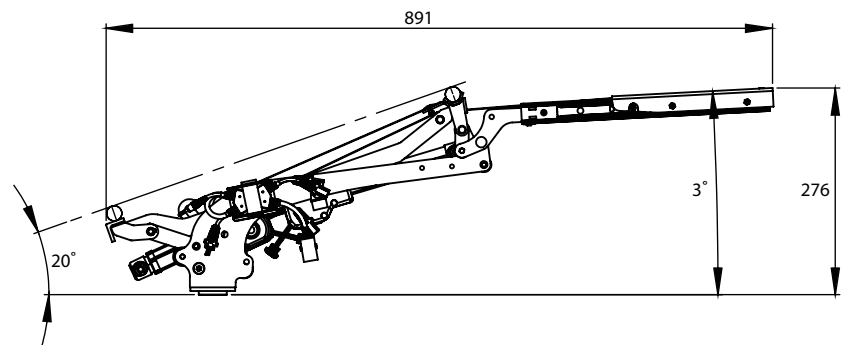
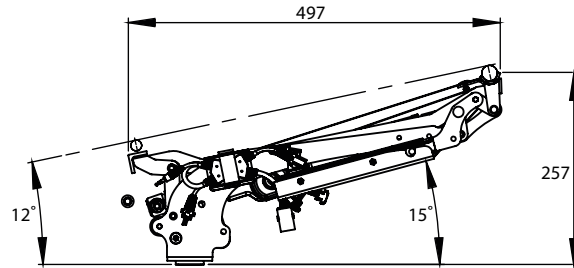
DETAILS

		DETAILS
FUNCTIONS	Swivel	Smooth and soundless. The swivel base allows you to turn in any direction you wish.
	Push back recliner	Also known as 'manual recliner'. Allows you to recline the chair by pushing the backrest. It can be folded to various degrees, according to your preference.
	Electric function recliner	The smooth mechanism is powered by a battery, making you unfold the backrest with just a push of a button.
	Headrest Plus	This is a height adjustable headrest. This solution allows you to adjust the headrest vertically (up/down) and horizontally (front/back). It is built into selected chairs.
OPTIONS	Return swivel	Allows the chair to automatically swivel back into its original position once you stand up.
	Adjustable headrest	It's a front/back adjustment of a headrest that allows you to keep your head and neck lifted and supported while reclining and looking forward. The feature is either built-in (BUILT-IN) or you can choose it for selected models (OPTIONAL).
	Height other than standard:	Height adjustment can be customized by +/-3 cm of the standard height, by changing the base module or the stem.
ACCESSORIES	Footrest	You can buy a footrest matching your chair for the recliners and other selected models. NOTE that in Power Recliners the footrest is already built-in.
	Head cushion	Our head cushions can be customized with any available color to match your chair.

PRODUCT INFORMATION

ESODO
POWER RECLINER

MECHANISM



ELECTRICAL CHARACTERISTICS

- Input voltage / current: DC24V-35V /0.7A-1A
- Output voltage / current: 27.5-29.5V /2.0A (instant current can reach to 18 A)
- Standard nominal voltage: 18V
- Standard nominal current: 1.500mAh
- Instant cut off current: 11-18A
- Duty cycle: 2min on, 18min off under 5A load

WARRANTY OF MECHANISM

The manufacturer provides a warranty for the period of:

- 2 years for mechanical (non-electrical) components,
- 1 year for electrical components. The exception is the Piro module (with 2 motors installed), where the period is 2 years.

CERTIFICATIONS

- UL/TUV/PSE/KEC/CE
- Meets CEC energy efficiency requirement

PRODUCT INFORMATION

REFERS TO: BATTERY PACK

EFFECTIVE USE OF THE BATTERY PACK

- Fully charge for 8 hours before first use.
- To maintain battery performance, fully charge it every 3 months.
- To maintain battery performance, we recommend that you fully charge it in an ambient temperature of 10 ° C ~ 30 ° C.

CAUTION FOR USE

- The battery should be kept away from fire and high temperature areas.
- Never expose the battery to temperatures over 60 ° C, such as direct sunlight or a car parked in the sun.
- To prevent a short circuit, do not put any metal objects into the battery terminal.
- Do not subject the battery to mechanical shocks.
- Do not disassemble or modify the battery.
- Keep the RC-Battery Pack out of the reach of children.

WARRANTY & BATTERY LIFE CYCLES

- Warranty: The warranty of RC-Battery Pack is 1 year from the date of manufacturing.
- Guaranteed replacement in case of defects caused by the manufacturing process.
- Life cycles: 300 cycles, with a capacity above 80%
- The lifetime of the battery pack varies according to the storage, operational conditions, and environment.

ENVIRONMENT CONDITIONS

- Operating: Ambient temperature: 0°C-40°C
Relative humidity: 0%-85%
- Storage: Ambient temperature: -20°C-40°C
Relative humidity: 0%-85%
Store in a dry and well-ventilated area.

CAUTIONS

The device is designed for indoor use.

Operating temperature 0°C to 40°C indoor/ domestic. Air humidity: 20% to 80%. Ambient and storage conditions: temperature -40°C to 70°C, air humidity: 10% to 100%, atmospheric pressure range of 76 kPa to 106 kPa, power supply with special protection categories is labeled accordingly.

**This device must not be used:**

- within an environment where flammable or explosive gases/vapors can be expected,
- in a damp environment (offshore-facilities, seaside) or outdoor,
- with a medical product, e.g. for the installation in a medical product,
- in planes or other air crafts,
- in nuclear power plants.

The manufacturer of the adjustable product is committed to take qualified precautions, to prevent persons from injuries and objects from damage, while their products are in use.

PRODUCT INFORMATION

REFERS TO: MECHANISM


EC declaration of incorporation for incomplete products

Designation:	Seat chassis type "Piro", with all options and variants
Type:	Seat chassis
Year of manufacture/serial number:	As specified on the type plate

We, the manufacturer Kintec-Solutions GmbH hereby declare under their sole responsibility that the incomplete product complies with the relevant basic health and safety requirements of the following standards and EC directives due to its design and construction as well as the version placed on the market by us. All relevant requirements according to DIN EN ISO 12100:2011 are met up to the described interfaces.

Assembly and operating instructions for further processors have been prepared and enclosed with the incomplete product.

Commissioning of the product is prohibited until it has been established by the processor that the product complies with the provisions of the following directives and standards.

In the event of a modification of the seat chassis not agreed with us, this declaration of incorporation loses its validity.

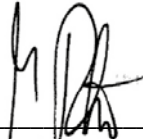
2006/42/EG	EC Machinery Directive
DIN EN 12520:2016-03	Furniture - strength, durability and safety - requirements for domestic seating
DIN EN ISO 12100:2011-03	Safety of machinery - General principles for design - Risk assessment and risk reduction

Complete technical documentation is available from the manufacturer. The instructions for processors belonging to the seat chassis are available.

The manufacturer is also the documentation officer in the sense of DIN EN ISO 12100:2011-03.

Kintec-Solution GmbH

Rietberg/Germany, 9th February 2017



Markus Röhr
-Managing director-

Kintec-Solution GmbH
A Leggett & Platt Inc. company
Amtsgericht Gütersloh – HRB 8099

Bokeler Str. 100
D-33397 Rietberg
www.kintec-solution.com

Tel. +49(0)5244 / 90 795-0
Fax. +49(0)5244 / 90 795-34
eMail. info.kintec@leggett.com